

This guide is for trained professionals. For detailed sensor installation manuals (mounting, maintenance etc) please visit: www.trackso.in >> Resources >> Datasheets



Scan QR code for detailed manuals

Important Notes

- Post installation, kindly re-verify if all sensors have been installed correctly
- Post installation, please verify the data of all sensors on trackSo portal [<http://solar.trackso.in>]
- For the sensors not mentioned below, kindly visit above link to read the detailed manual

Solar Irradiation Sensor

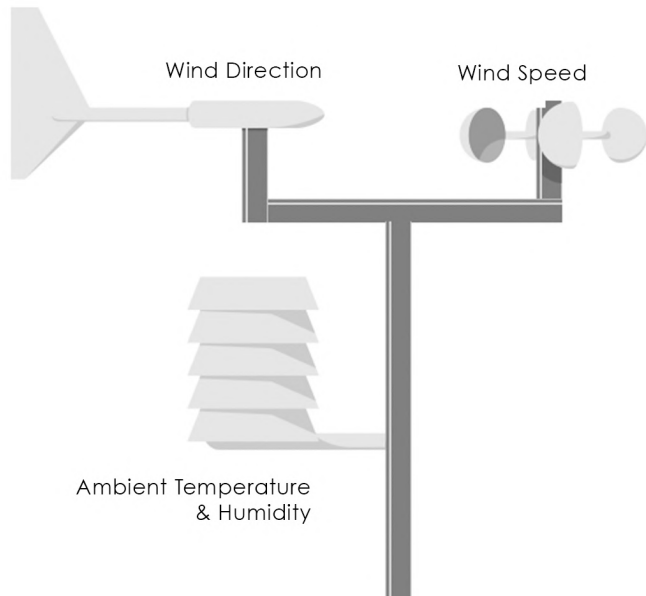
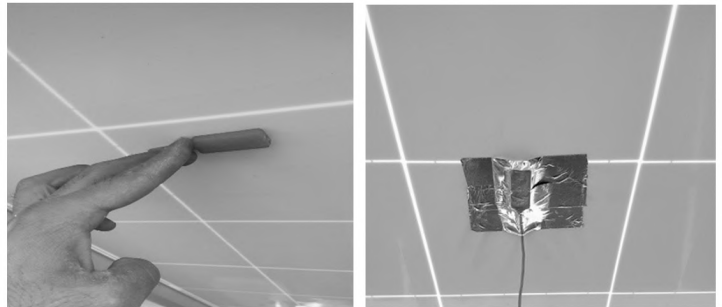
- The irradiation sensor [or pyranometer] must be installed at the same azimuth and tilt angle as the solar PV array
- The pyranometer is to be located far from any kind of obstruction, which might reflect sunlight (or sun shadow) onto the pyranometer itself
- Post successful installation & mounting, please shade the sensor and make sure the reading on the TrackSo portal is changing



Module Temperature Sensor

Sensor is mounted at the center of back of solar PV module

- Select a PV module that remains un-shaded throughout day
- Peel the backing from the adhesive tape and press the sensor firmly against the surface
- Do not attempt to extend or shorten pre-assembled 2.5 m cable
- Tie the sensor cable off in a way that does not pull on sensor
- Fix the sensor and the cable with an additional adhesive tape



Ambient Temperature & Humidity Sensor

- It works best when in a location with a steady breeze. Mount away from fences, buildings, trees, or other obstructions
- Do not install over or near sprinklers.
- If attaching to a building, the preferred location is the north side in the northern hemisphere or the south side in the southern hemisphere

Wind Speed & Direction Sensor

- The goal of installing a wind sensor is to position it in a location where the wind flows freely and is not influenced by nearby objects
- When selecting your mounting location, take into consideration that you will occasionally need to access the anemometer for maintenance
- Allow sufficient clearance for wind sensor. Install the sensor away from buildings or any other objects that might affect the airflow
- Try to make the anemometer the highest object around. 7 feet or more above the surrounding obstructions is best
- The anemometer must be mounted in an upright position; otherwise, water can enter the anemometer and destroy it.

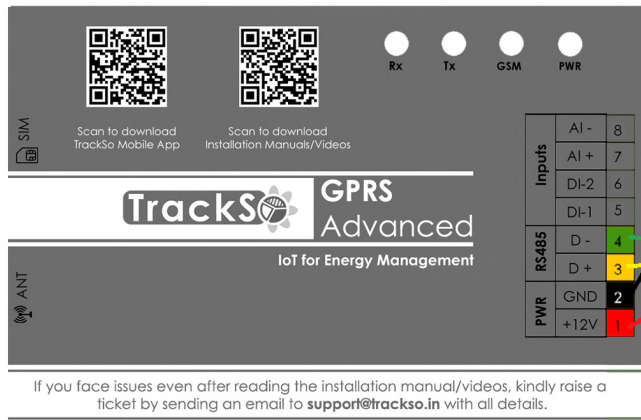
Sensor Maintenance

To ensure that your weather station sensors is transmitting accurate weather measurements, they must be properly maintained. Preventive sensor maintenance is an important aspect of that effort & each sensor should be physically examined on a regular basis. It helps to head off future problems & protect your investment

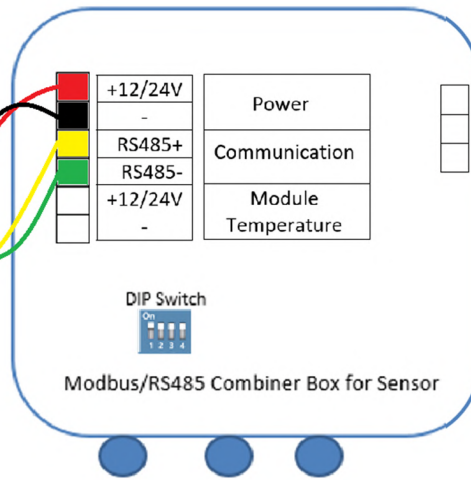
Please be sure to review & follow your weather station cleaning & maintenance recommendations which are easily available online

Technical Issues?

Please read the document carefully!
For any technical issues that you might face during the installation, please send an email to support@trackso.in and we will try to guide you in the best possible manner.

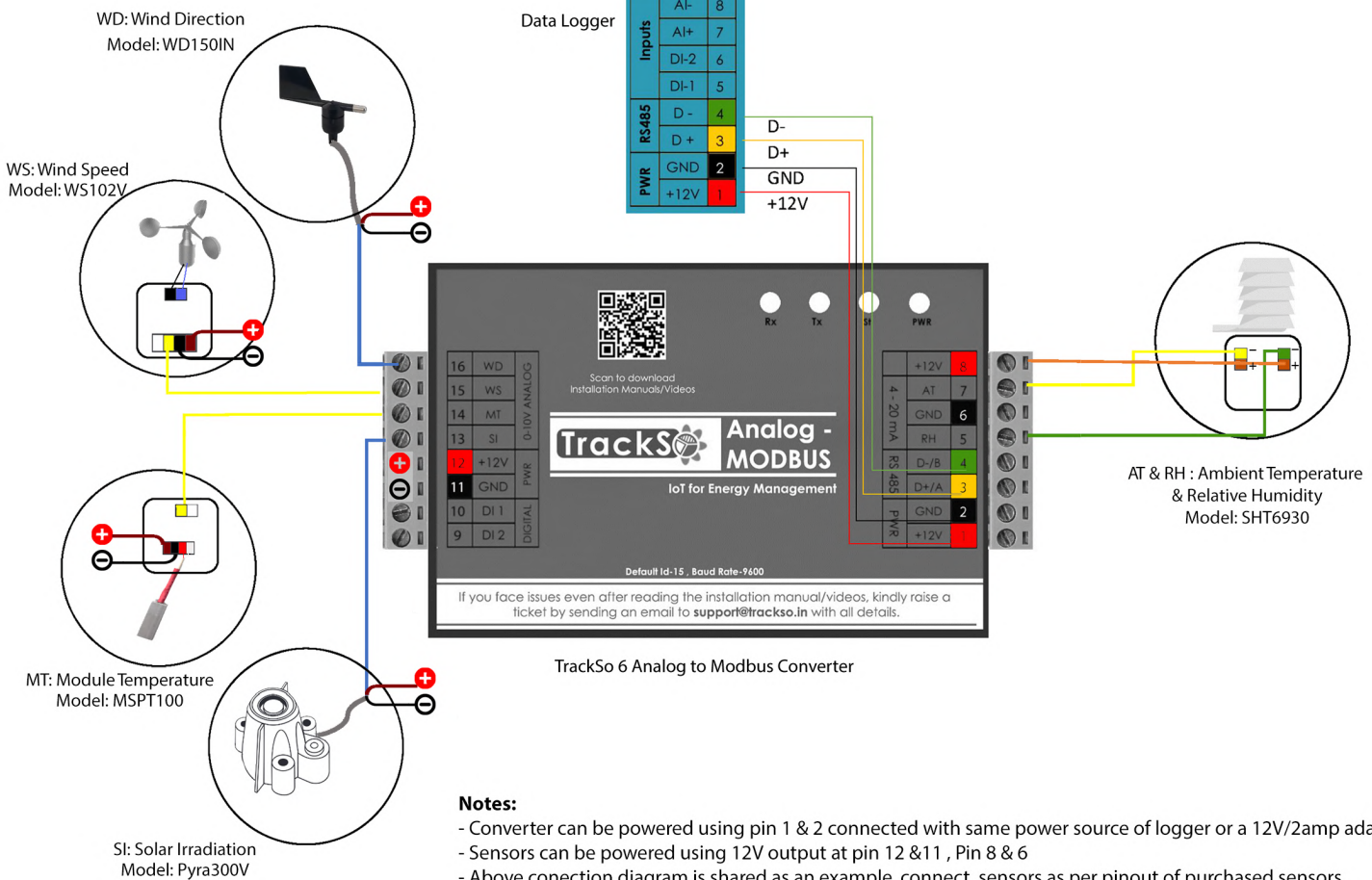


Data Logger



2 Analog Sensor to Modbus Converter

Wires	
Brown	Pyranometer
Blue	
Black	



Notes:

- Converter can be powered using pin 1 & 2 connected with same power source of logger or a 12V/2amp adapter
- Sensors can be powered using 12V output at pin 12 & 11 , Pin 8 & 6
- Above connection diagram is shared as an example, connect sensors as per pinout of purchased sensors

Notes:

- Connecting sensors without proper technical know-how may damage the sensor permanently and leave it irreparable, kindly read and understand manuals properly before starting installation.
- Analog-Modbus converters are meant to be installed in IP65 box near sensors.
- Try not to extend any sensor wires and if sensor wires are extended then for ensuring measurement accuracy of analog sensors (ex- pyranometer, wind speed etc) be sure to share the voltage drop across extended wire.
- Be sure to wire properly with correct polarity of terminals.
- Close IP65 box properly and ensure all glands are closed for Waterproofing
- Post installation, please verify the data of all sensors on TrackSo portal [<http://solar.trackso.in>]
- For the sensors not mentioned in quick installation guide or on website-trackso.in, kindly contact us at support@trackso.in