



Wind Speed and Direction Sensor

OVERVIEW

MBMet 130 series offer combined Wind Speed and Direction Sensor in an integrated design construction. The rotary wind cups and vane are designed to stand up to strong-force winds and at the same time be sensitive to light breeze. The wind speed part adopts the traditional three-wind cup structure, featuring low start wind speed, large measuring range, stability and a long service life.

BENEFITS AND FEATURES

- ▶ Compact Wind Speed and Direction Sensor
- ▶ Low starting threshold
- ▶ Easy maintenance
- ▶ Adapts to harsh weather conditions
- ▶ Easy Installation
- ▶ Outputs in Digital RS-485 Modbus and Analog 4-20mA

APPLICATIONS

- ▶ Solar and Wind Power Generation
- ▶ Wind Resource Assessment
- ▶ Environment Monitoring
- ▶ Smart Cities
- ▶ Automatic Weather Stations
- ▶ Agriculture



MBMet 130 series

TECHNICAL DESCRIPTION

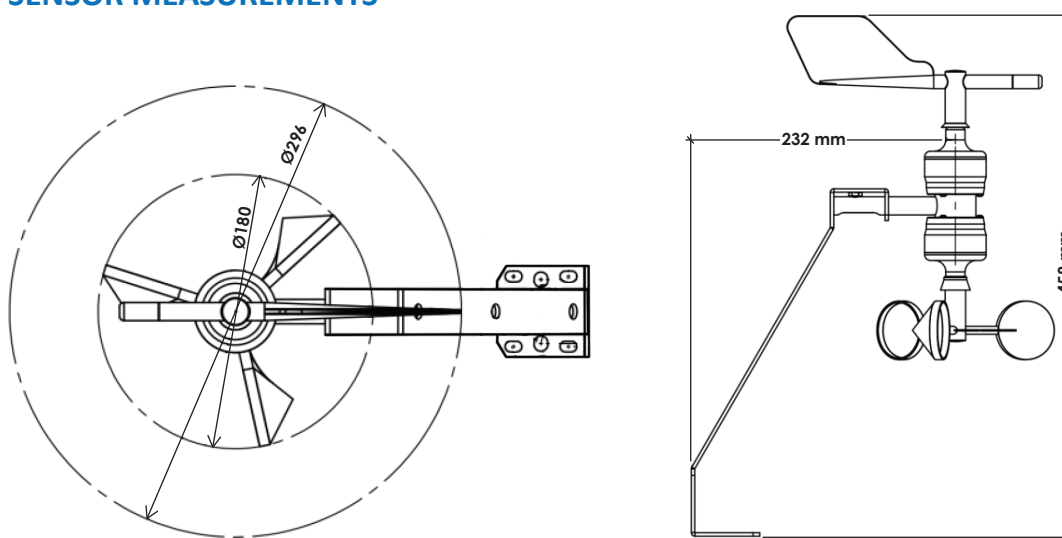
Model/Parameters	MBMet-130	
Communication Output	-A 4-20mA	-B RS-485 Modbus
Wind Speed (Anemometer)		
Measuring Range	0 to 45m/s	0 to 70m/s
Accuracy	±3%	
Resolution	0.1m/s	
Wind Direction (Vane)		
Measuring Range	0 to 360°	
Accuracy	≤±3°	
Resolution	1°	
Measurement Performance		
Starting Threshold	0.5m/s	
Extreme Wind Speed	75m/s	
Electrical Specifications		
Input Voltage	12 to 24VDC	
Power Consumption	0.3W	



TECHNICAL DESCRIPTION *(Cont.)*

Model/Parameters	MBMet-130
General Specifications	
Operating Temperature	-40°C to +70°C
Ingress Protection Rating	IP65
Installation Bracket	Included
Body Material	Carbon fiber and Aluminum alloy
Weight (unpacked)	700g

SENSOR MEASUREMENTS



ORDERING STRING

Model	Series	Output	Accessories	Cable Length	
MBMet					
	130				
		A			4-20mA
		B			RS-485 Modbus
			A		With Pole Mounting Accessories
			X		Without Pole Mounting Accessories
				5000	Units : mm (default)
				Units : mm (on request)

For example : MBMet-130-BA5000

Parameter : Wind Speed + Wind Direction

Output : RS-485 Modbus with Pole Mounting Accessories, Cable Length : 5 meters

SEE ALSO

- **MBMet 100** Wind Speed Sensor
- **MBMet 110** Wind Direction Sensor
- **MBMet 120** Wind Speed & Direction Sensor
- **MBMet 140** Ultrasonic Wind Speed & Direction Sensor
- **MBMet 800** PV Module Temperature Sensor
- **MBMet 901** Air Temperature, Humidity & Pressure Sensor
- View our complete range of **Weather Sensors**

****Specifications are subject to change without notice.**

