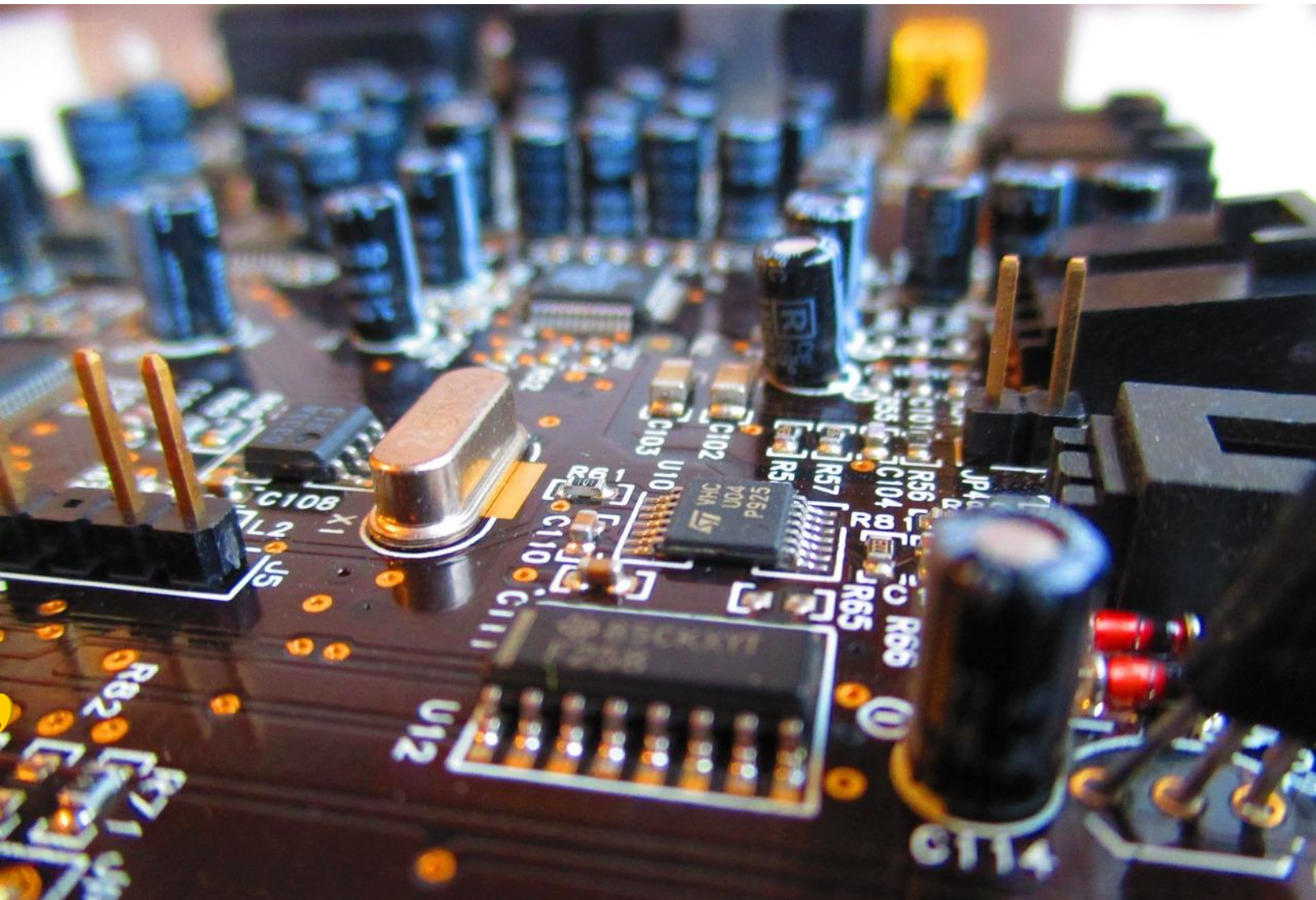


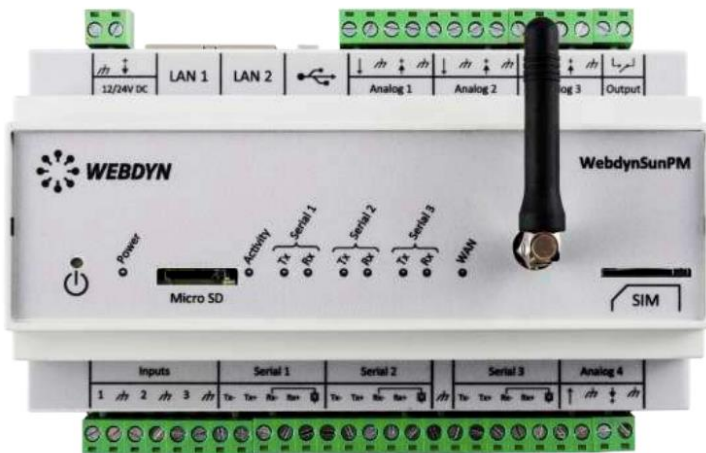


Solar PV Monitoring & Analytics

DATASHEET – DATALOGGER

WebdynSunPM





The WebdynSunPM concentrator is used to monitor and control your photo-voltaic installations by collecting, analysing and modifying your equipment parameters. Define your scenarios to modulate the power injected to the grid, optimise energy storage or manage your own consumption. A tailored standalone solution to monitor, control and optimise your photovoltaic installations.

Power Consumption: Very low consumption of data on mobile network

Modbus Compatibility: Full compatibility with Modbus protocol

TCP Support: Double connectivity Modbus RTU & Modbus TCP

Power Management: Offloading, Power management, Auto consumption, Storage, etc.

Specifications

Category	Component	Details
General	Brand	Webdyn
	Model	WebdynSunPM
	Manufacture Website	https://www.webdyn.com/
Serial ports	RS485	For communication with multiple devices
	RS232	For communication with multiple devices
	Ethernet	2* Ethernet ports Allows Modbus TCP communication
	Slaves	Upto 247 slaves can be connected This limit depends both on the type of slave present on the bus and the number of variables to be collected from each device.
	Baud Rate	Supports: 1200, 2400, 4800, 9600, 19200, 38400, 57600, 115200, 230400, 460800
Network	Ethernet	10/100 Mbit Ethernet
	Cellular	GSM/GPRS/EDGE/3G modem - 3G: HSPA (B1 and B8) - 2G: EDGE, GSM, GPRS (B1 and B8)
Storage	Storage	100 MB of compressed Data
	External Storage	1 Micro SD port (FAT32)
I/O Port	Analog inputs	4 analog inputs (0-10 V or 4-20 mA)
	Digital inputs	3 digital inputs (discrete or pulsed)
	USB Port	1 (USB port is reserved for future use)
	Dry Contact Inputs	2
Power	Operating Voltage	12/24 V DC
	Consumption	10W max
Mechanical	Cover	ABS Plastic-White Grey
	Dimensions (W x L x H)	157x108x59mm with DIN RAIL
Conformity	Certification	RED, ROHS, REACH

Other Technical Characteristics

Component	Details
Operating System	Linux Webdyn distribution based onLinux Mainline 4.9.128
Memory	DDR3 SDRAM: 512 MB Flash eMMC: 8 GB
Embedded servers	http
Compatible protocols	FTP/SFTP (CSV) MQTT (JSON)

Other Features

STRENGTHS

- 2 possible destination servers
- Micro SD Card Port
- Server redundancy

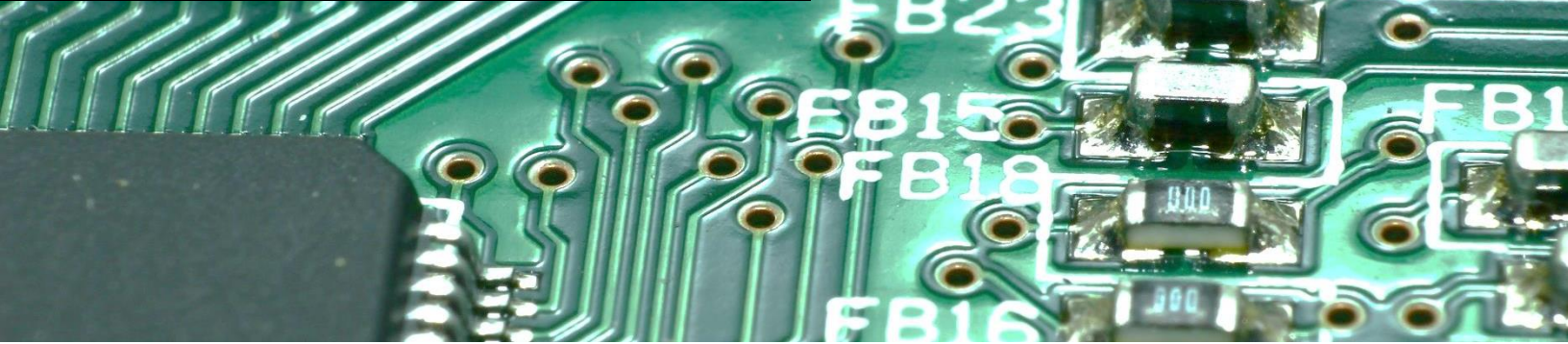
THE APPLICATIONS

- Local action automation (offloading, reduction of the reactive power, etc.)
- Power Control (Zero Export & DG Sync)
- Power Management (Offloading, Power management, Auto consumption, Storage, etc.)

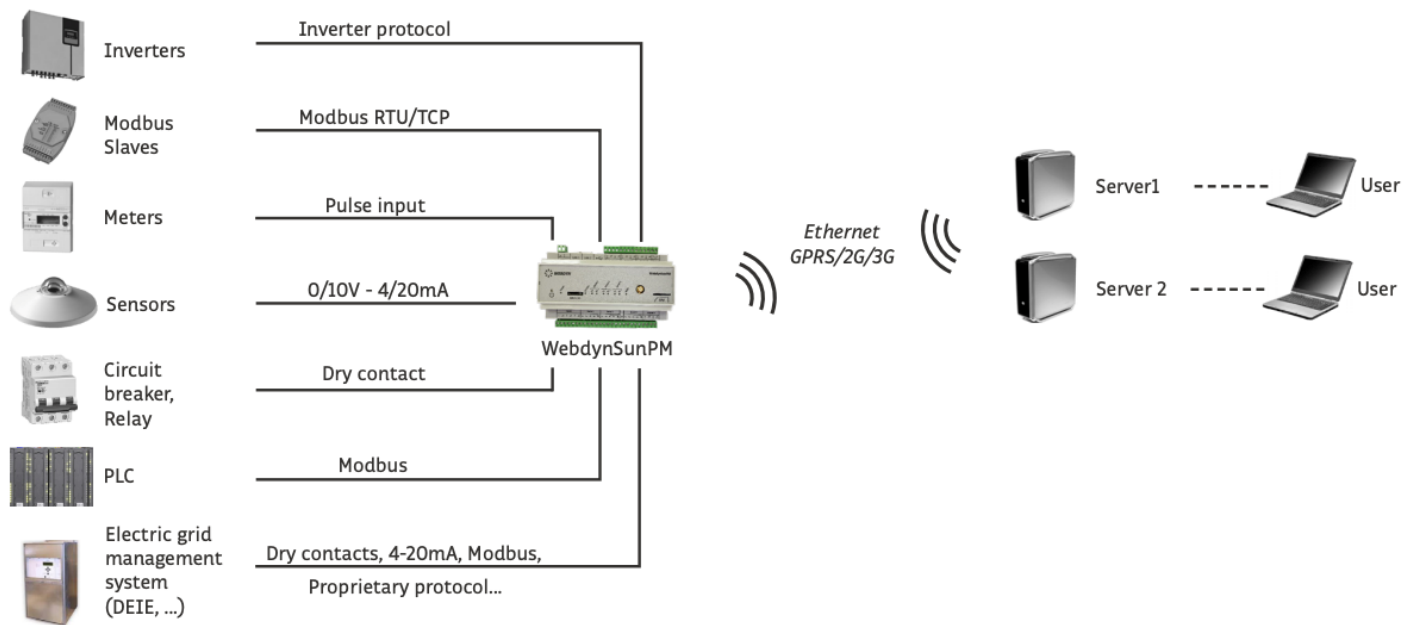
INSTALLATION

- Simplified wiring (disconnect able screw terminal block)

WebdynSunPM



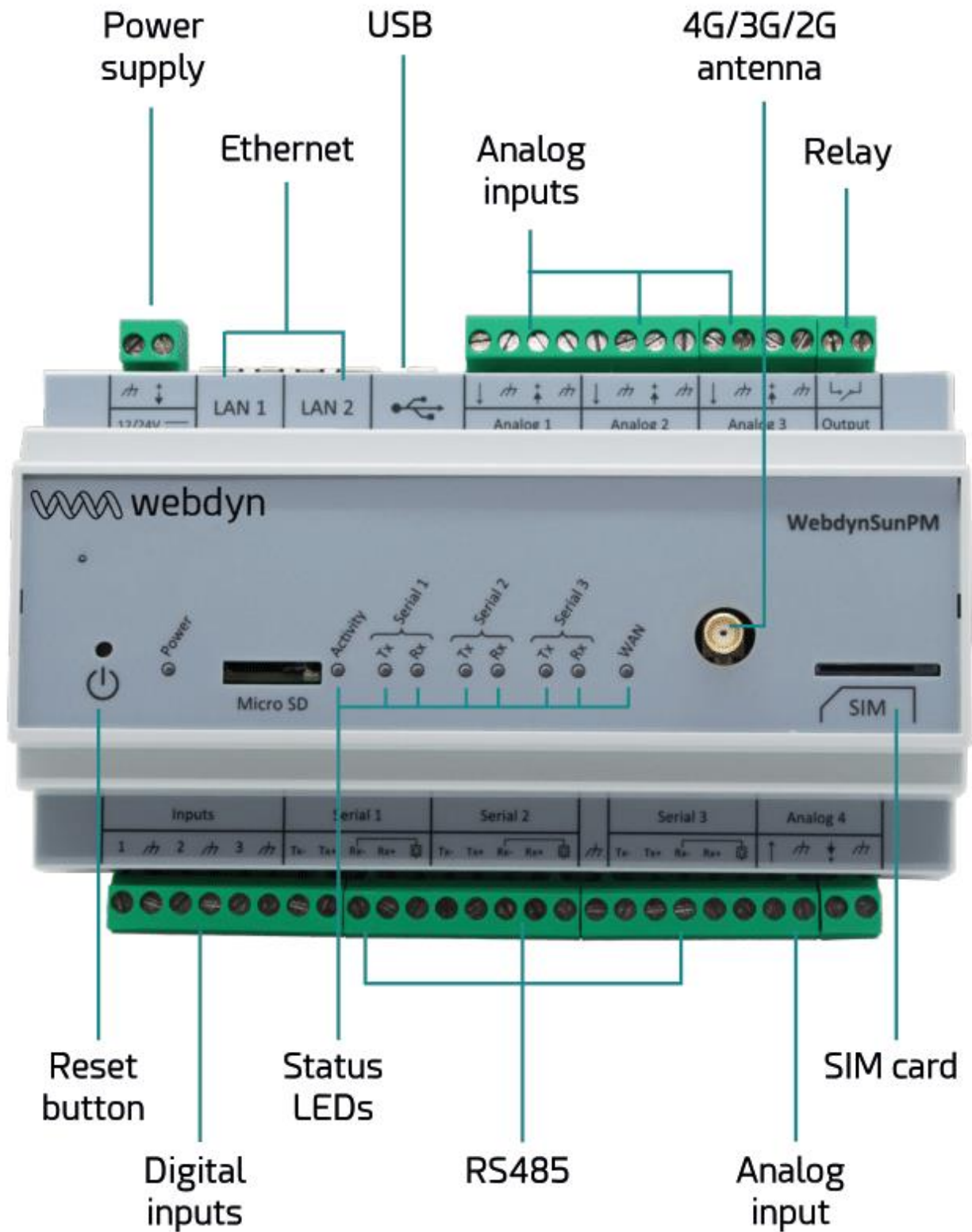
Diagram



Detailed User Guide

Available here- <https://www.webdyn.com/support/>

Pinout



FREE SPIRITS GREEN LABS PVT. LTD.

Sales: sales@trackso.in , Support: support@trackso.in

7000+

UNITS MONITORED Inverters, Sensors, Meters, Water Pumps

3500+

SOLAR SITES Rooftop & Commercial, Solar Water Pumps, Zero Export systems

Monitoring Sites

