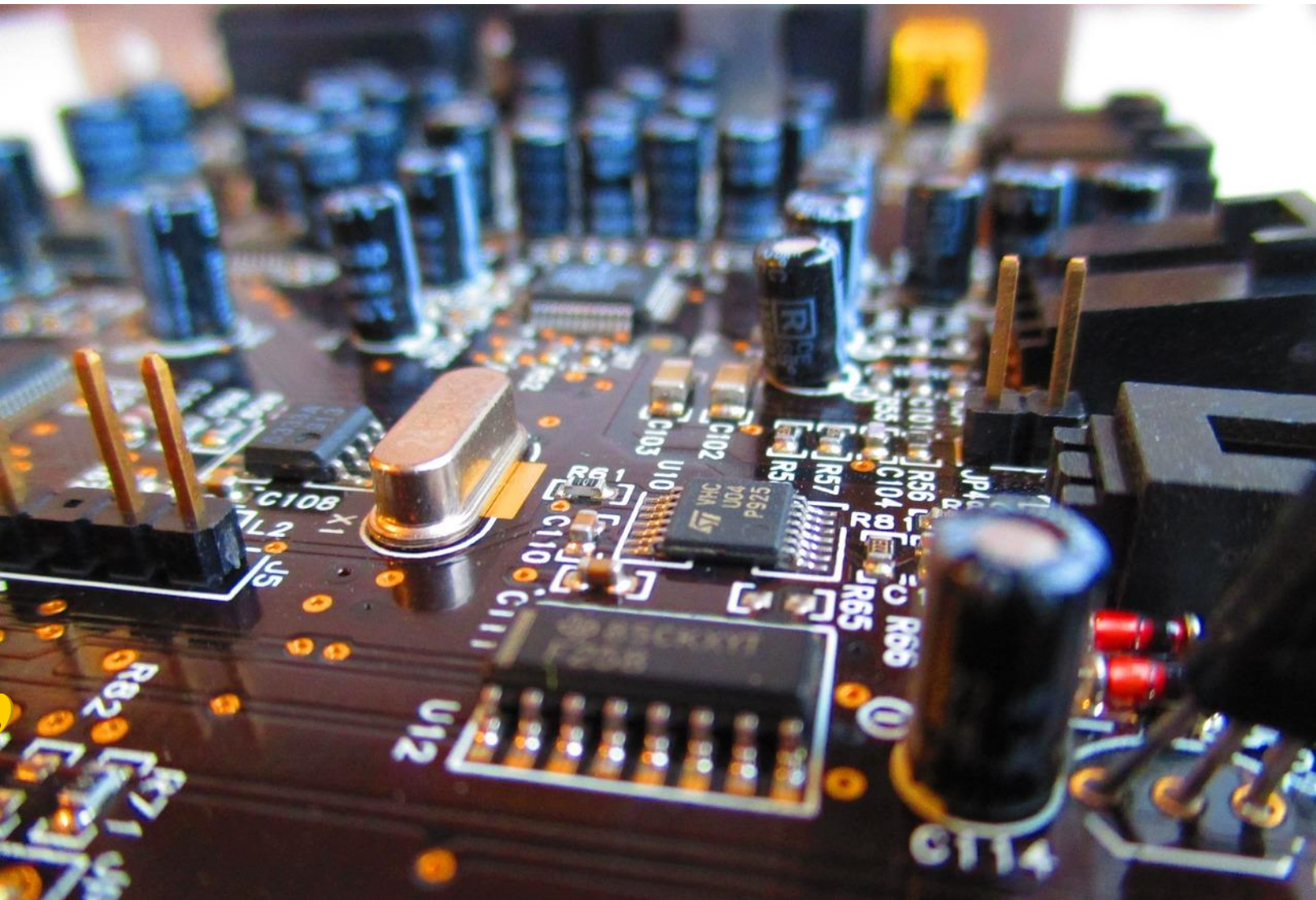




Solar PV Monitoring & Analytics

DATASHEET – DATALOGGER

WebdynSun





The WebdynSun gateway is used to monitor and collect data from a solar plant installation. On a single unit, the gateway brings together all the indicators from inverters, the electric meters and environmental sensors (sunshine intensity, temperature, wind speed, etc.)

Power Consumption: Very low consumption of data on mobile network

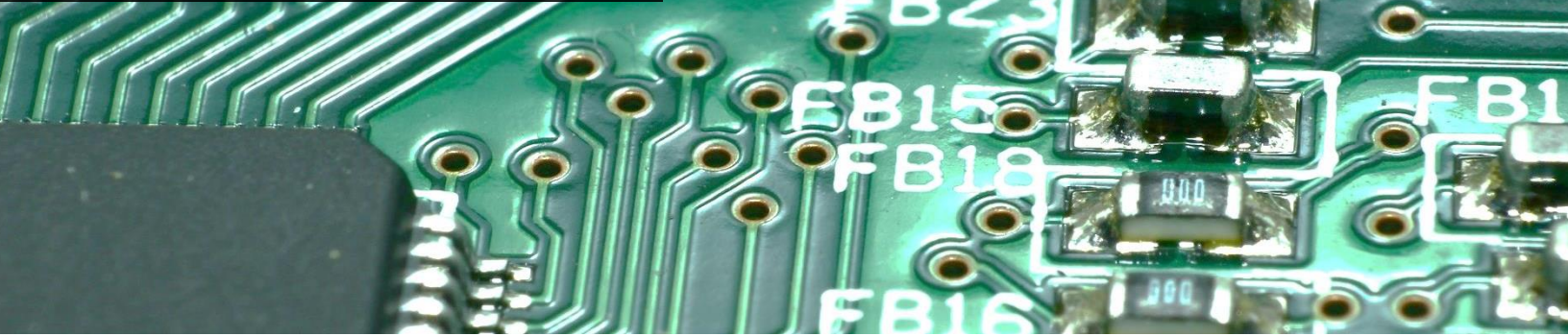
Modbus Compatibility: Full compatibility with Modbus protocol

TCP Support: Double connectivity Modbus RTU & Modbus TCP

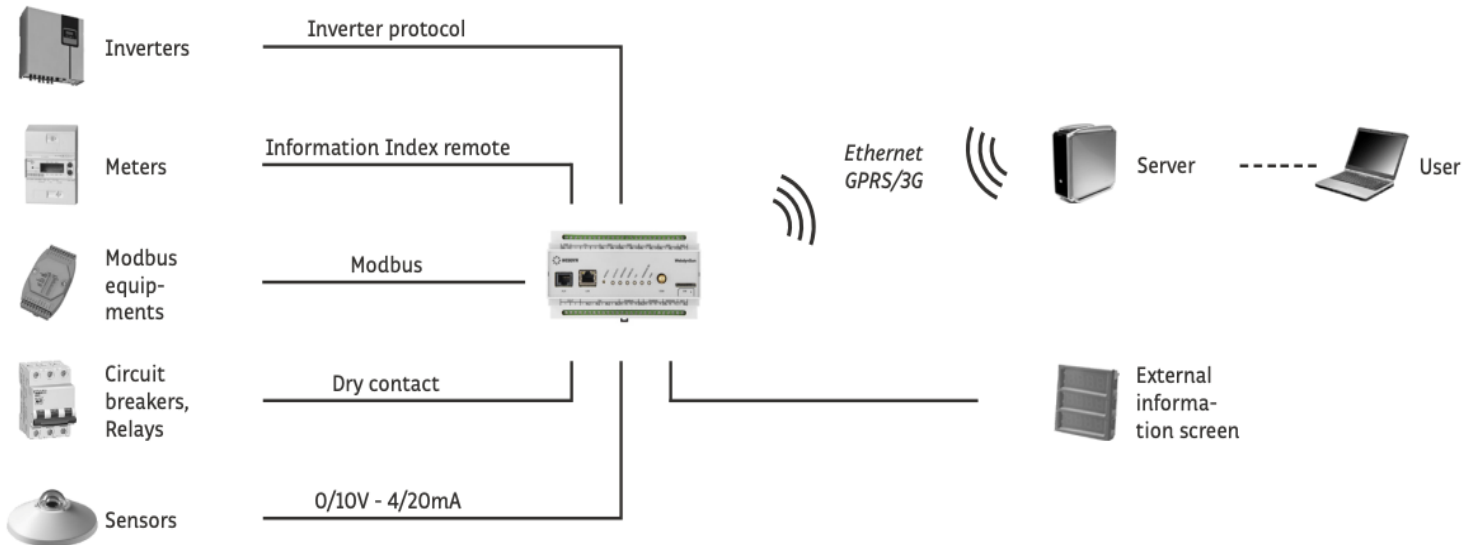
Specifications

Category	Component	Details
General	Brand	Webdyn
	Model	WebdynSun
	Manufacture Website	https://www.webdyn.com/
Serial ports	RS485	2 No. of RS485 Port
	Ethernet	Allows Modbus TCP communication
	Slaves	Upto 247 slaves can be connected This limit depends both on the type of slave present on the bus and the number of variables to be collected from each device.
	Baud Rate	Supports: 2400, 4800, 9600, 19200, 38400, 57600, 115200
Network	Ethernet	10/100 Mbit Ethernet
	Cellular	GSM/GPRS antenna: Microel EA-247 Frequency:900/1800 MHZ (2G/3G)
Storage	Storage	100 MB of compressed Data
I/O Port	Analog inputs	4 (range 0-10V and 4-20 mA)
	Digital inputs	2 impulse inputs
	Dry Contact Outputs	2 Outputs , 4 Inputs
Power	Operating Voltage	12/24 V DC
	Consumption	< 4 Watts
Mechanical	Material	ABS Plastic-White Grey
	Dimensions (W x L x H)	157x86x59mm
Conformity	Certification	EMI : EN55022 class B – CE : EN50082
Environmental conditions	Operational Temperature	5°C/+50°C - Storage : -20°C/+85°C

WM-MEGA



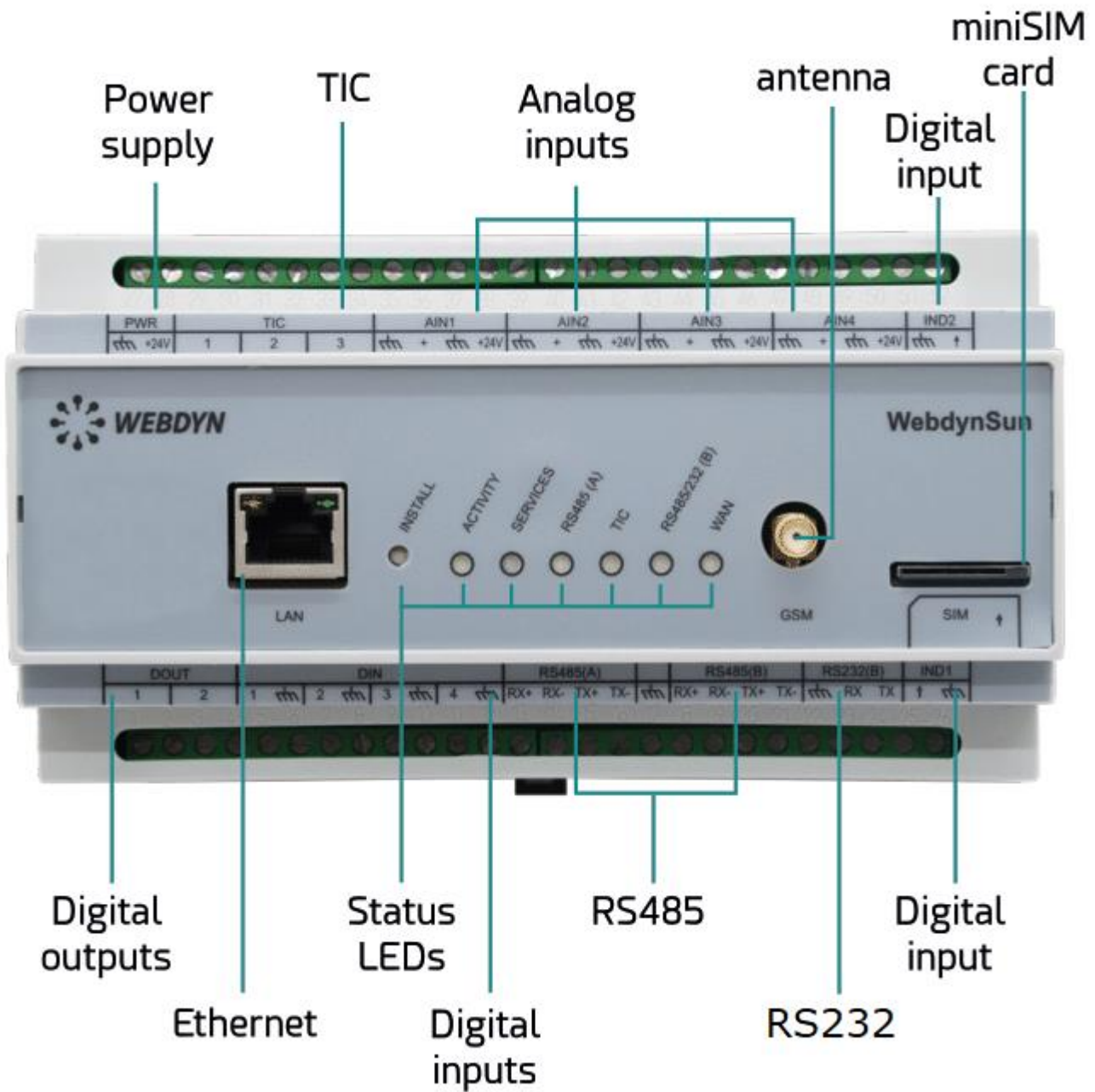
Diagram



Detailed User Guide

Available here- <https://www.webdyn.com/support/>

Pinout



FREE SPIRITS GREEN LABS PVT. LTD.

Sales: sales@trackso.in , Support: support@trackso.in

7000+

UNITS MONITORED Inverters, Sensors, Meters, Water Pumps

3500+

SOLAR SITES Rooftop & Commercial, Solar Water Pumps, Zero Export systems

Monitoring Sites

