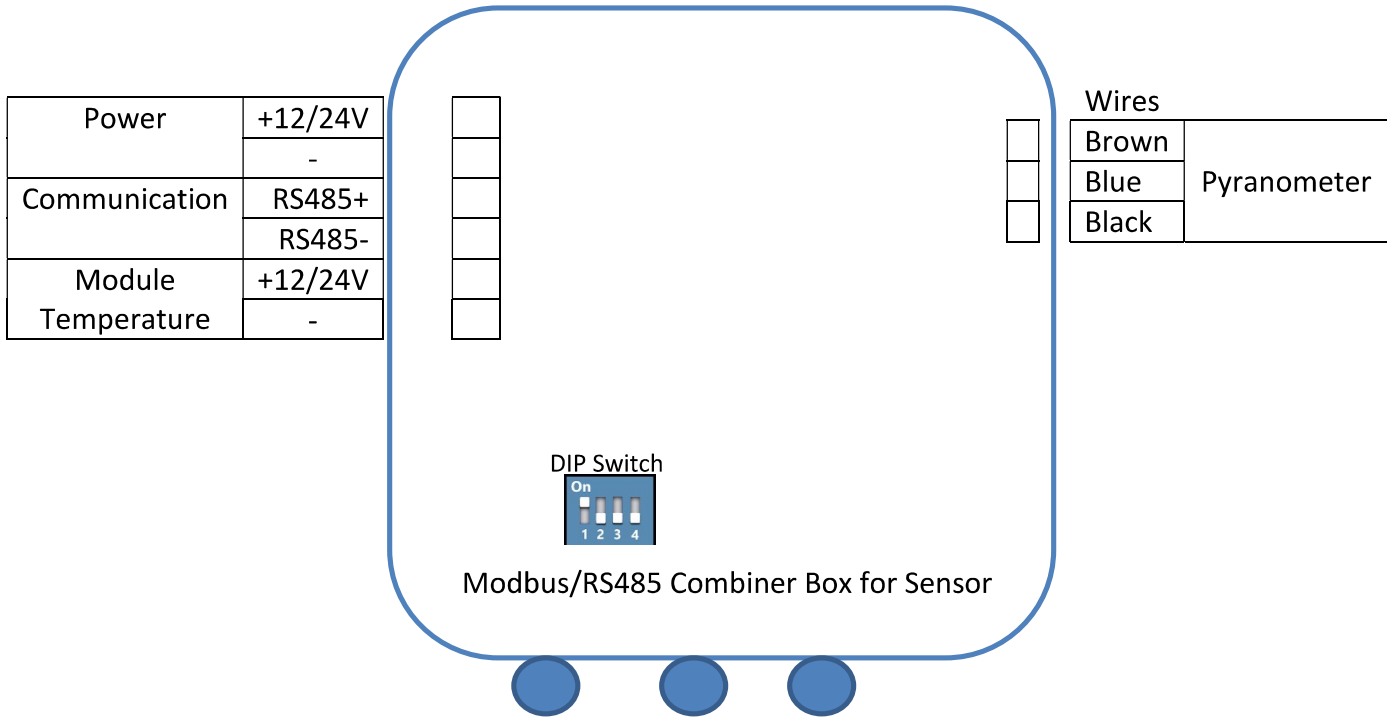




Sensors-

- Surface Module Temperature Transmitter-Mspt100v : Data Sheet- <https://goo.gl/qvG9Wh>
- Solar Radiation Sensor PYRA 300 V : Data Sheet- <https://goo.gl/jixen2>

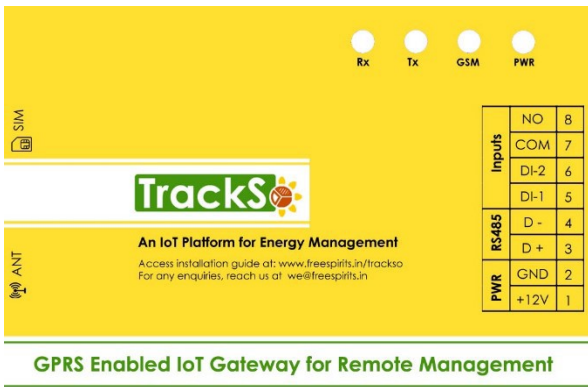
WIRING DIAGRAM



Wires to be connected	Power Communication
-----------------------	------------------------

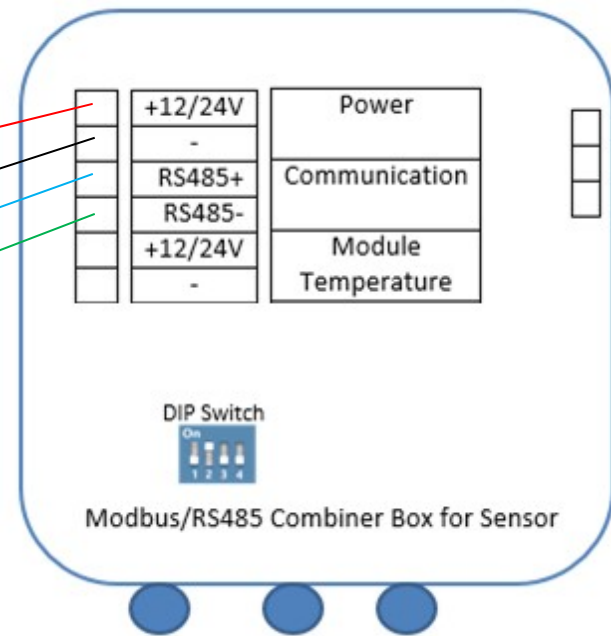
Wires already connected in weather monitoring	Module Temperature Wind Sensor Pyranometer Ambient Temperature
---	---

Baud 9600 ,Parity-None				
Slave ID	DIP Switch Settings			
	1	2	3	4
1	1	0	0	0
2	0	1	0	0
3	1	1	0	0
4	0	0	1	0
5	1	0	1	0
6	0	1	1	0
7	1	1	1	0
8	0	0	0	1
9	1	0	0	1
10	0	1	0	1
11	1	1	0	1
12	0	0	1	1
13	1	0	1	1
14	0	1	1	1
15	1	1	1	1



Connect to

- TrackSo Pin-1
- TrackSo Pin-2
- TrackSo Pin-3
- TrackSo Pin-4



INSTALLATION

Surface Temperature Sensor- It is designed to attach directly to any solar panel. When placed on the center back side of the panel, it accurately measures the temperature of the panel. Peel off the protective adhesive tape on the temperature sensor and stick it onto the back of the panel. Firmly press the sensor into place.

Pyranometer- The sunlight sensor must be installed at the same azimuth and tilt angle than the PV array. It is to be located far from any kind of obstruction, which might reflect sunlight (or sun shadow) onto the pyranometer itself.

TOOLS AND MATERIALS NEEDED

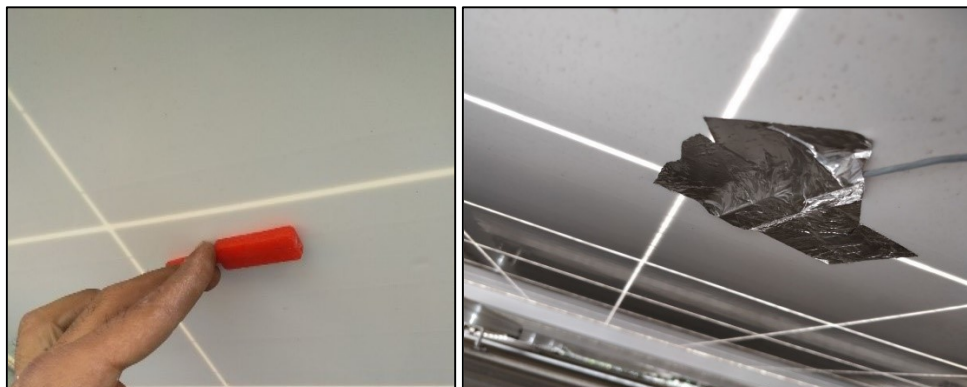
Read this manual before beginning the installation to be sure you have everything you need.

- Wrench or pliers
- Wire cutters and stripper
- Multimeter
- Electrical Tapes , Wire ties and tabs
- Hammer
- Drill with 3/16 in drill bit (4.7 mm) to drill pilot holes
- Adjustable wrench or 11/32 in. wrench and 7/16 in

LOCATION RECOMENDATION

Sensor	Recommendation
Module Surface Temperature Sensor	-Select a PV module that remains unshaded throughout the day. -For best operation, this heatsink should be mounted flat against the surface to be measured.
Solar Radiation Sensor	-The sunlight sensor must be installed at the same azimuth and tilt angle than the PV array. (Drill it on the top of the panel) -Pyranometer is to be located far from any kind of obstruction, which might reflect sunlight (or sun shadow) onto the pyranometer itself.

Example Installations



CALIBRATION

The weather monitoring station is factory calibrated.